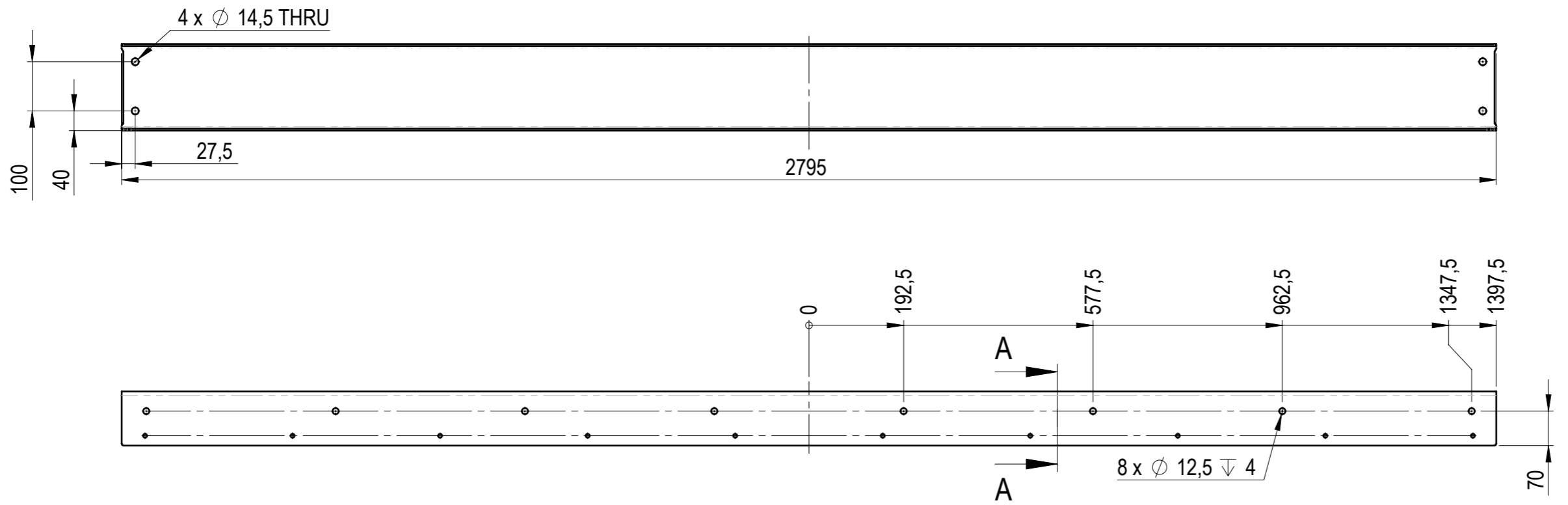
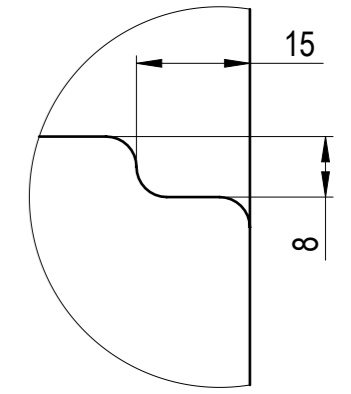
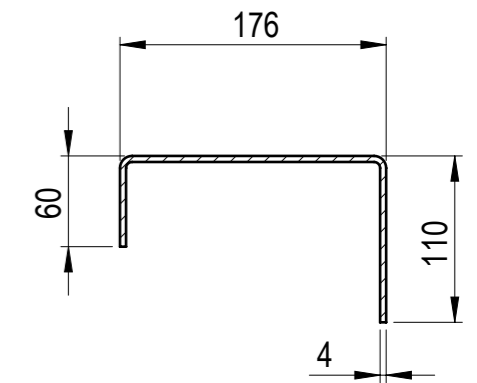


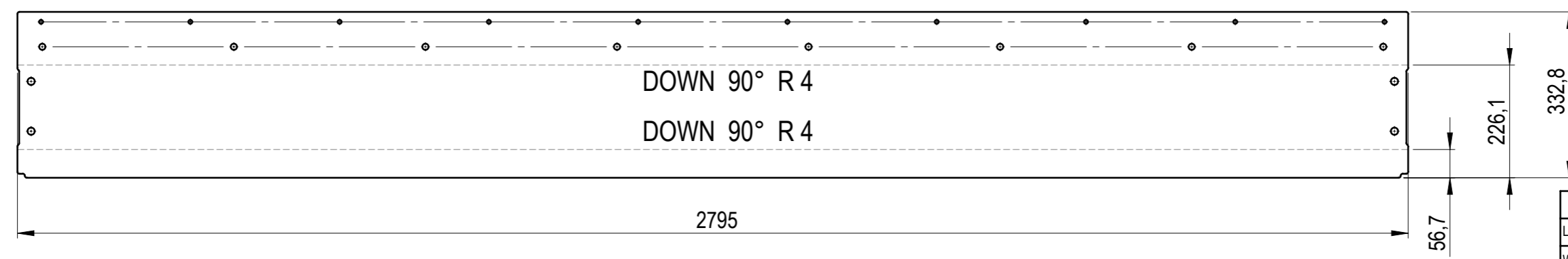
B
SCALE: 1 : 1



A-A
SCALE: 1 : 5

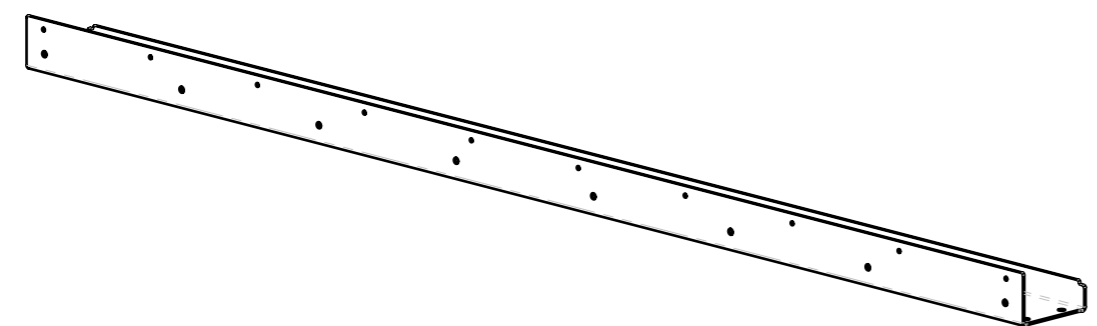


Flat Pattern view
SCALE: 1:10



Other dimensions from .DXF file.

SHEET METAL INFORMATION	
Length, mm	2795
Width, mm	332.8
Thickness, mm	4
Inside Bend Radius, mm	4
K-Factor	0.5
No. of Bends	2



	MATERIAL	WEIGHT	DEBURR AND BREAK SHARP EDGES		REVISION	DATE	
	S355J2	28.918 Kg	DO NOT SCALE DRAWING			25.03.2025	
	SURFACE PROTECTION	MACHINING	THERMAL CUTTING	WELDING	SCALE	FORMAT	
	HDG EN ISO 1461	ISO 2768 mK	ISO 9013 441	ISO 13920 BF	1:10	A3	
NAME	SIGNATURE	PART NO.					
Designed by	E. Kamols	105-05000-01					
Drawn by	E. Kriviss	DESCRIPTION				SHEET 1/1	
Technical ref.		Entrance zone bracket					